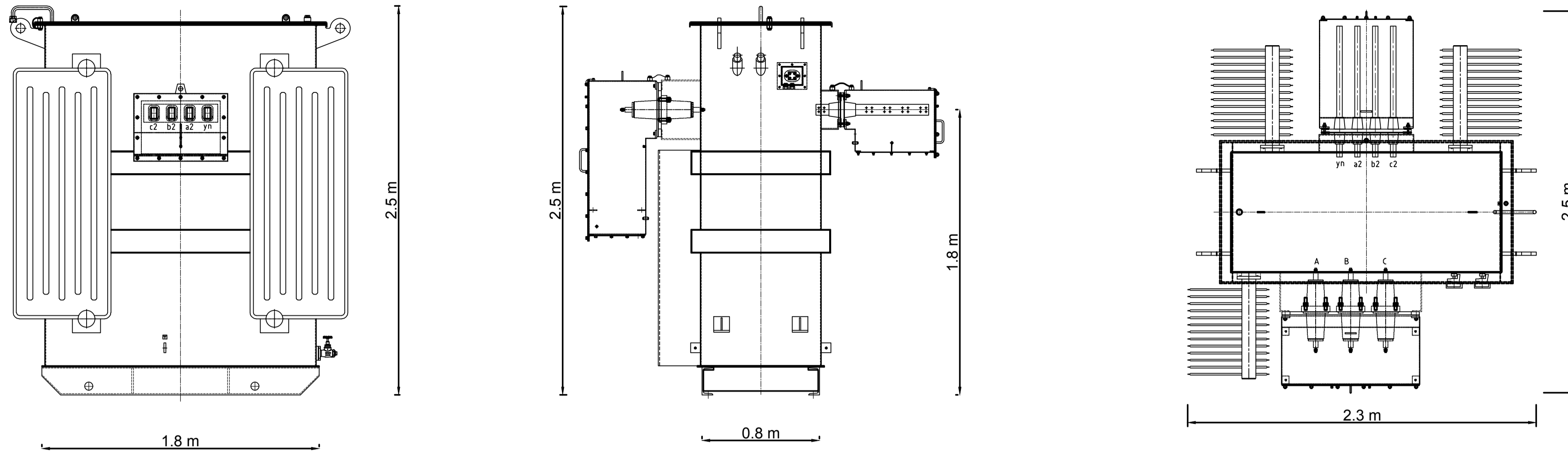
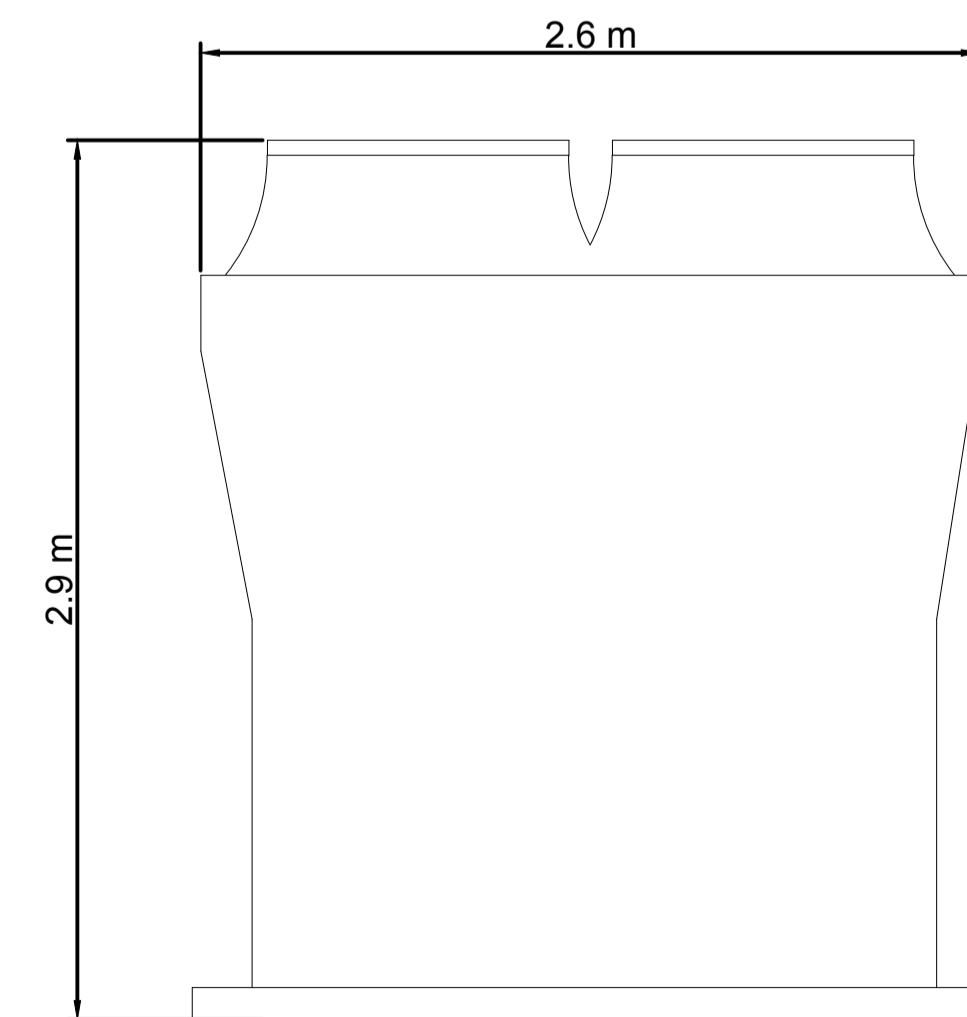
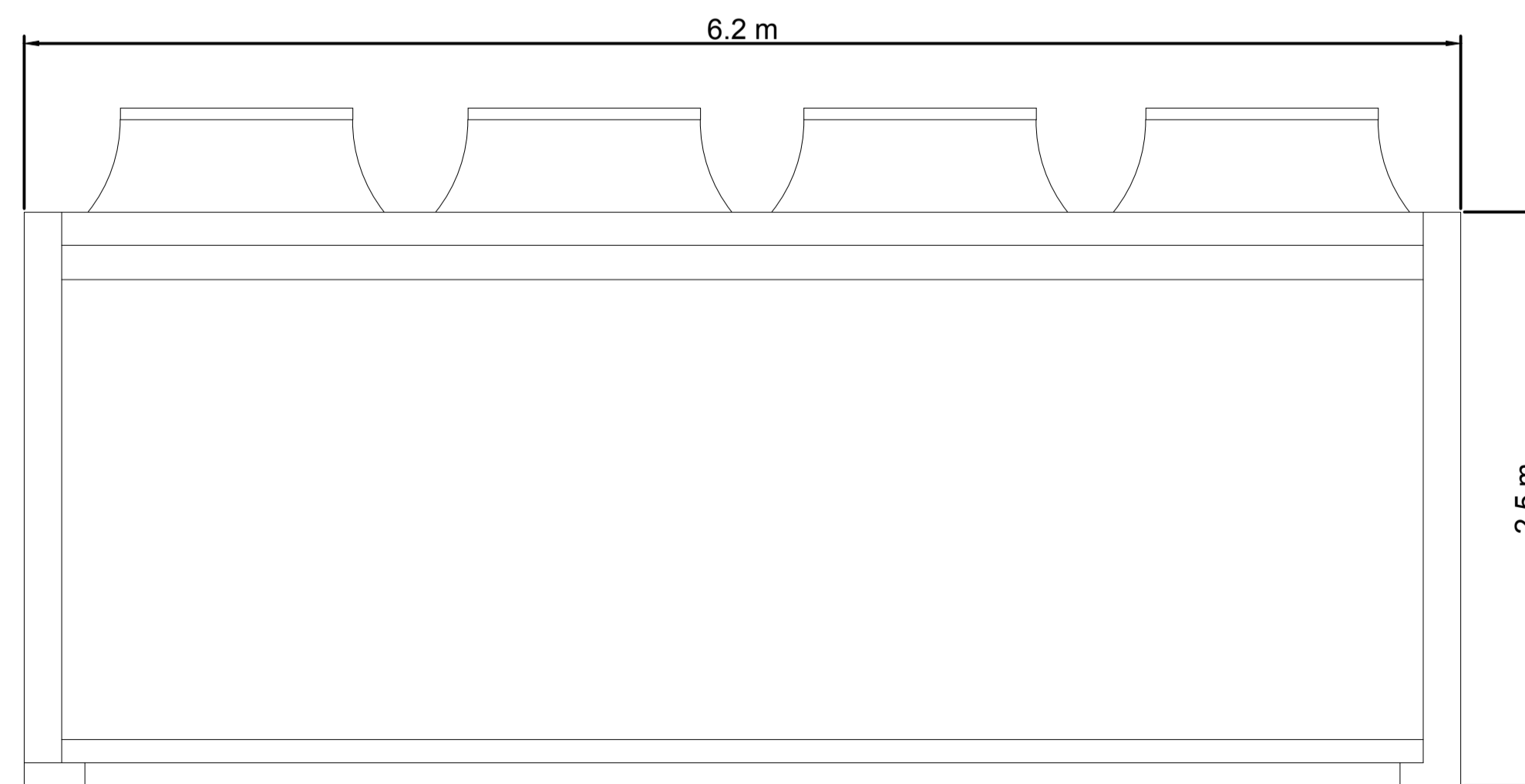
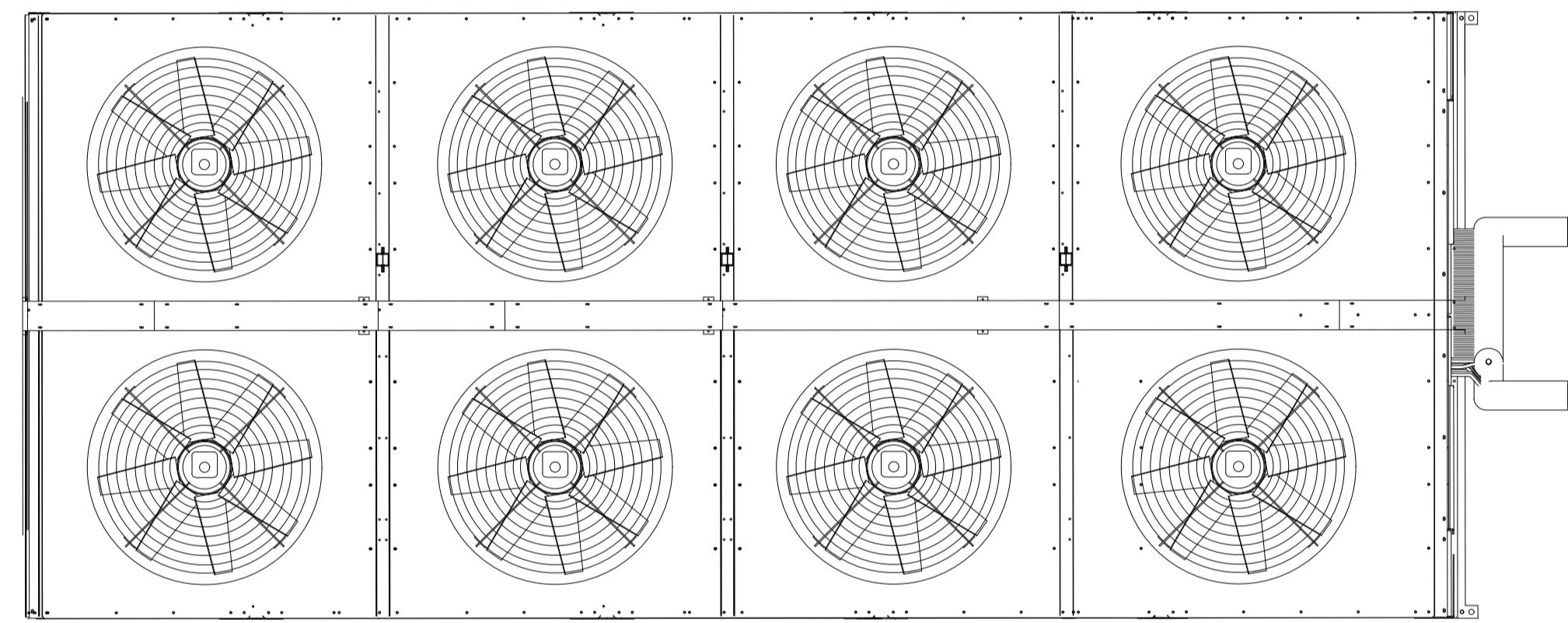


1 TRANSFORMER ELEVATIONS
SCALE: 1: 20 @ A1



2 AIR COOLER ELEVATIONS
SCALE: 1: 25 @ A1



**PRELIMINARY
FOR
PLANNING**

**GENERAL
PLANNING ELEVATIONS**

Low Carbon Farming - Five Fords
Wrexham

REV	DATE	DESCRIPTION	DWN		CHKD	
			RR	ER	RR	ER
01	08/06/20	PLANNING ELEVATIONS				

LATTITUDE:
53.025°
LONGITUDE:
-2.941°

SCALE
AS SHOWN

ORIGINAL SIZE: ISO A1

DRAWING NO:
00165-20-303 Rev01